



# DATA SHEET

## DUO S SERIES / NDS-N9-XX-DNXXX ULTRASONIC WATER METER

A next-generation Ultrasonic Water Meter, N9, is a new firmware that enables a better flow sensor and a more extended wireless or wired communication battery plan

### Product Description

The **DUO S Series** is NETIX.AI Second generation Smart series metes. We build highly coordinated metering solution for our esteemed customers. The N9 range of Ultrasonic water meter is an innovative meter with static flow sensor based on the ultrasonic measuring principle. It is designed for measuring the use of water consumption.

It utilizes ultrasonic measuring methodology and microprocessor technology. All calculation and flow measuring circuits are designed on one single board, thus offering exceptional accuracy and reliability. N9 range gives importance to flexibility with its programmable functions and install-uninstall communication units.

With its size options from DN15 to DN40, it enables flow rate metering from 0.03m./h to 20m./h..

### Key Features

- Advanced function
- Low pressure drops
- No metering of air
- Leading to long lasting metrology
- Wide dynamic metering range
- Pin point measuring accuracy
- Pre-equipped for communication
- Mounting in any installation position
- In sensitive against lime & sand
- Long product life, because there is no moving parts
- Automatic self diagnosis and fault detection

### IoT Ready

N9 meter range supports multiple communication interfaces for both wired and wireless which suitable for any type of installation environment, like

- M-Bus
- RS485 (Modbus)
- Pulse
- LoRaWAN (433MHz, 868MHz, 915MHz, 923MHz)
- NB-IoT
- Sigfox

### For further information

NETIX. Global B.V.  
Beechavenue 115, 1119RB  
Schiphol-Rijk,  
Tel: +31 68 543 6139

# DATA SHEET

## DUO S SERIES / NDS-N9-XX-DNXXX ULTRASONIC WATER METER

### Battery life

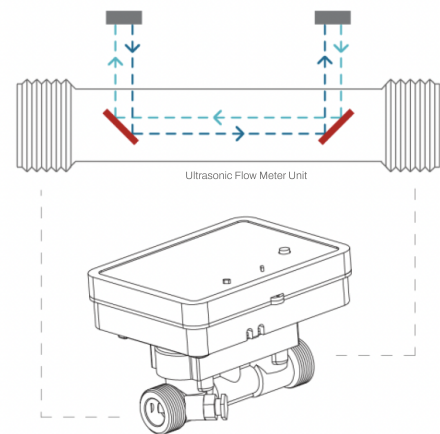
The N9 range of meters has no moving parts, presents as IP65, and its body is fabricated from durable brass material. This robust design makes it maintenance-free and highly precise throughout its flexible 6 or 10 or 15 years battery life depends up on customers' needs.



### DUO S Series, N9 main units

#### Ultrasonic Flow Meter Unit

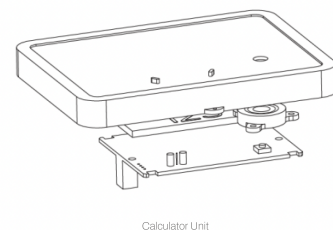
Measures by the transfer of ultrasound signals between transducers with the help of mirrors.



#### Calculator Unit

It is the unit that process consumption calculation by the flow rate data received from flow rate metering unit. Its calibration is performed in software at factory.

Calculated flow, Consumption and other information's are displayed on the LCD when button is pushed. These information may be remotely read via optical port and communication unit.



DUO-S-N9-11022021-R1.5

### For further information

NETIX. Global B.V.  
Beechavenue 115, 1119RB  
Schiphol-Rijk,  
Tel: +31 68 543 6139

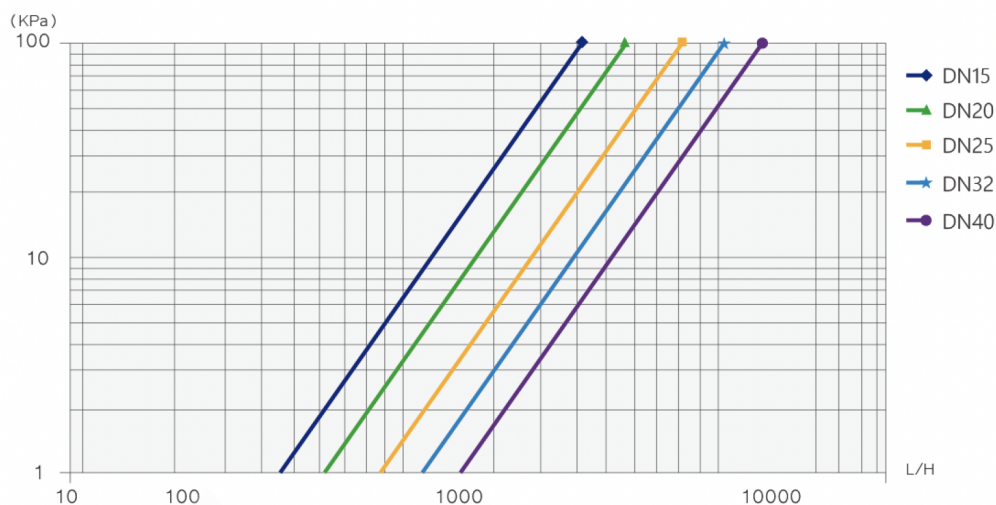
# DATA SHEET

## DUO S SERIES / NDS-N9-XX-DNXXX ULTRASONIC WATER METER

### Ordering Information

Model	NDS-N9-VI-DN15	NDS-N9-VI-DN20	NDS-N9-VI-DN25	NDS-N9-VI-DN32	NDS-N9-VI-DN40
Pipe Diameter	DN15	DN20	DN25	DN32	DN40
Minimum Flow Rate, $q_i$ (m <sup>3</sup> /h)	0.005	0.008	0.0126	0.02	0.032
Permanent Flow Rate, $q_p$ (m <sup>3</sup> /h)	2.5	4	6.3	10	16
Overload Flow Rate, (m <sup>3</sup> /h)	3.125	5	7.875	12.5	20
Connection	G3/4'	G1'	G1'1/4	G1'1/2	G2'
Length (mm)	165	195	225	180	200
Width (mm)	75	75	75	75	75
Height (mm)	100	100	100	100	100

### Ultrasonic Water Meter Pressure Loss



DUO-S-N9-11022021-R1.5

### For further information

NETIX. Global B.V.  
Beechavenue 115, 1119RB  
Schiphol-Rijk,  
Tel: +31 68 543 6139

# DATA SHEET

## DUO S SERIES / NDS-N9-XX-DNXXX ULTRASONIC WATER METER

### Technical Specification

Pipe Material	Brass 59-1
Metrological Class	Class 2, (EN1434)
Maximum Operation Pressure	1.6Mpa
Pressure Loss	P<25kPa at qp
Ration (Q3 /Q1) (optional)	R160, R250, R400, R500
Pressure Stage	PN16
Protection Class	IP65 or IP68
Battery	DC3.6V, lithium battery, 6-10-15 years lifetime option. *Optional: 230V Power interface module available
Data Storage	24 months history data, Total flow ,Running hours, Accumulated flow etc
Operating Temperature	-30°C - 55°C
Interface & Communication	M-Bus, Optical port, Pulse Output / Pulse Input, RS-485 (Modbus), LPWAN (LoRaWAN, Sigfox, NB-IoT)
Installation	Horizontal or Vertical
Display and Indication	Unit: m3 / Gallon(optional) LCD: 8-digits
Standard Compliance	EN13757



DUO-S-N9-11022021-R1.5

#### For further information

NETIX. Global B.V.  
Beechavenue 115, 1119RB  
Schiphol-Rijk,  
Tel: +31 68 543 6139