



# DATA SHEET

## DUO S SERIES / NDS-N39-DNXX ULTRASONIC WATER METER

The high-precision bulk Ultrasonic Water Meter, developed for indoor/outdoor Commercial, District, Industrial, and Agricultural application

### Product Description

The **DUO S Series** is NETIX.AI Second generation Smart series metes, and N39 is an IoT-ready water meter built for remote monitoring in rugged environments. The N39 range of Ultrasonic water Meter is innovative, with a static flow sensor based on the ultrasonic measuring principle. No moving components in the flow sensor avoid long-term abrasion of mechanical parts, which may result in inaccuracy measurement and meter failure. Such design is also resistant to impurities; therefore, no inspections and maintenance cost-free.

N39 is a reliable and absolute matured achievement in high-accuracy measurement. It is designed with multiple ultrasound principles to match various demands.

In addition, the unique compact design ultimately assures water-proof protection quality. The accuracy is guaranteed even if installed underwater for a long time. Moreover, the core engineering concept of N39 aims to cut the budget on overall operating costs from remote meter reading

### Key Features

- Cast Steel Material
- MultipleUltrasound
- Enlarger LCD display
- DN50-DN900
- IP65 / IP68

Integration ready for NETIX.AI platform and Uniview Billing Meter Reading & Control System, N39 can collect and analyze millions of users' water-consuming data. Using this big data, our engineers can optimize the meter metrology and communication. Utilities also upgrade their water supply network with the help of these water consumption data.

### IoT Ready

- M-Bus
- Modbus RTU
- NB-IoT
- Optical
- LoRa
- Pulse
- Sigfox

### For further information

NETIX. Global B.V.  
Beechavenue 115, 1119RB  
Schiphol-Rijk,  
Tel: +31 68 543 6139

# DATA SHEET

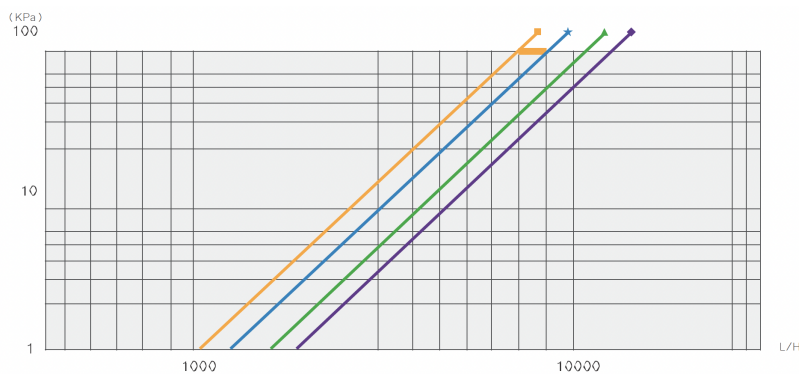
## DUO S SERIES / NDS-N9-XX-DNXXX ULTRASONIC WATER METER

### Battery life

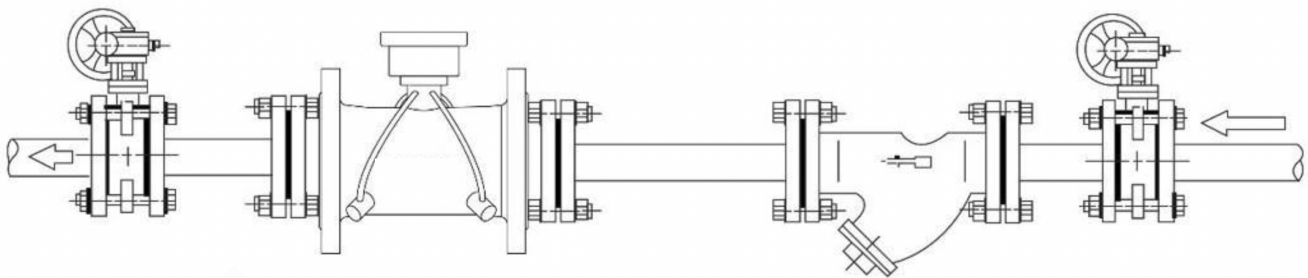
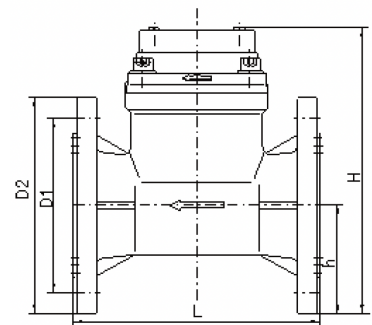
**N39** has no moving parts, presents IP68, is thoroughly waterproof, and is fabricated from durable cast steel material. This robust design makes the N39 maintenance-free and highly precise throughout its flexible 10 or 15 years battery life, depending upon customers' needs.



### Performance



- DN50
- DN100
- DN200
- DN300



DUO-S-N39-12022022-R1.2

### For further information

NETIX. Global B.V.  
Beechavenue 115, 1119RB  
Schiphol-Rijk,  
Tel: +31 68 543 6139

# DATA SHEET

## DUO S SERIES / NDS-N9-XX-DNXXX ULTRASONIC WATER METER

### Ordering Information

Model	Diameter DN(mm)	Nominal Flow	Transitional Q2(m./h)	Minimum Q1(m./h)@R500	Flange Outer	Length (mm)	Connection
NDS-N39-DN50	50	25	0.08	0.05	165	200	4×M16
NDS-N39-DN65	65	40	0.128	0.08	185	200	4×M16
NDS-N39-DN80	80	63	0.2016	0.126	200	225	8×M16
NDS-N39-DN100	100	100	0.32	0.2	220	250	8×M16
NDS-N39-DN125	125	160	0.512	0.32	250	250	8×M16
NDS-N39-DN150	150	250	0.8	0.5	280	300	8×M20
NDS-N39-DN200	200	400	1.28	0.8	335	345	12×M20
NDS-N39-DN250	250	630	2.016	1.26	405	445	12×M24
NDS-N39-DN300	300	1000	3.2	2	460	500	12×M24
NDS-N39-DN400	400	1600	5.12	3.2	580	600	16×M27
NDS-N39-DN450	450	2500	8	5	640	650	20×M30
NDS-N39-DN500	500	2500	8	5	715	600	20×M33
NDS-N39-DN600	600	4000	12.8	8	840	600	20×M36

Up to DN900, for specification Please contact [info@netixglobal.com](mailto:info@netixglobal.com)

Temperature	Medium Range: 0.1°C.....30/50°C (T30 / T50) Ambient temperature: 5~55 °C Storage temperature: -20~60 °C
Pipe Materials	Cast Steel
Metrological Class	Class 2
Ratio (Q3/Q1) (optional)	R125, R200, R250, R500
Maximum Admissible Pressure	1.0 MPa
Pressure Loss	$\Delta P < 63$ kPa
Flange Standard (optional)	ANSI, GB (DIN)
Pressure Stage	PN16
Protection Class (optional)	IP65 / IP68
Battery Lifespan (optional)	3.6 VDC lithium battery, 6 / 10 / 16 years lifetime *Optional: 230V power interface module is available
Data Storage (optional)	24 logs, daily / weekly / monthly
Electromagnetic Environmental Class	E1
Mechanical Environmental Class	M1
Mechanical Environmental Conditions	B
Interface & Communication (optional)	IrDA, LoRaWAN, Sigfox, NB-IoT, W-Mbus, RS485, Mbus, Pulse Output
Assembly Orientation	H, V, H/V
Display and Indication	Unit: m <sup>3</sup> / Gallon (optional) LCD: 8-digits

DUO-S-N39-12022022-R1.2

### For further information

NETIX. Global B.V.  
Beechavenue 115, 1119RB  
Schiphol-Rijk,  
Tel: +31 68 543 6139